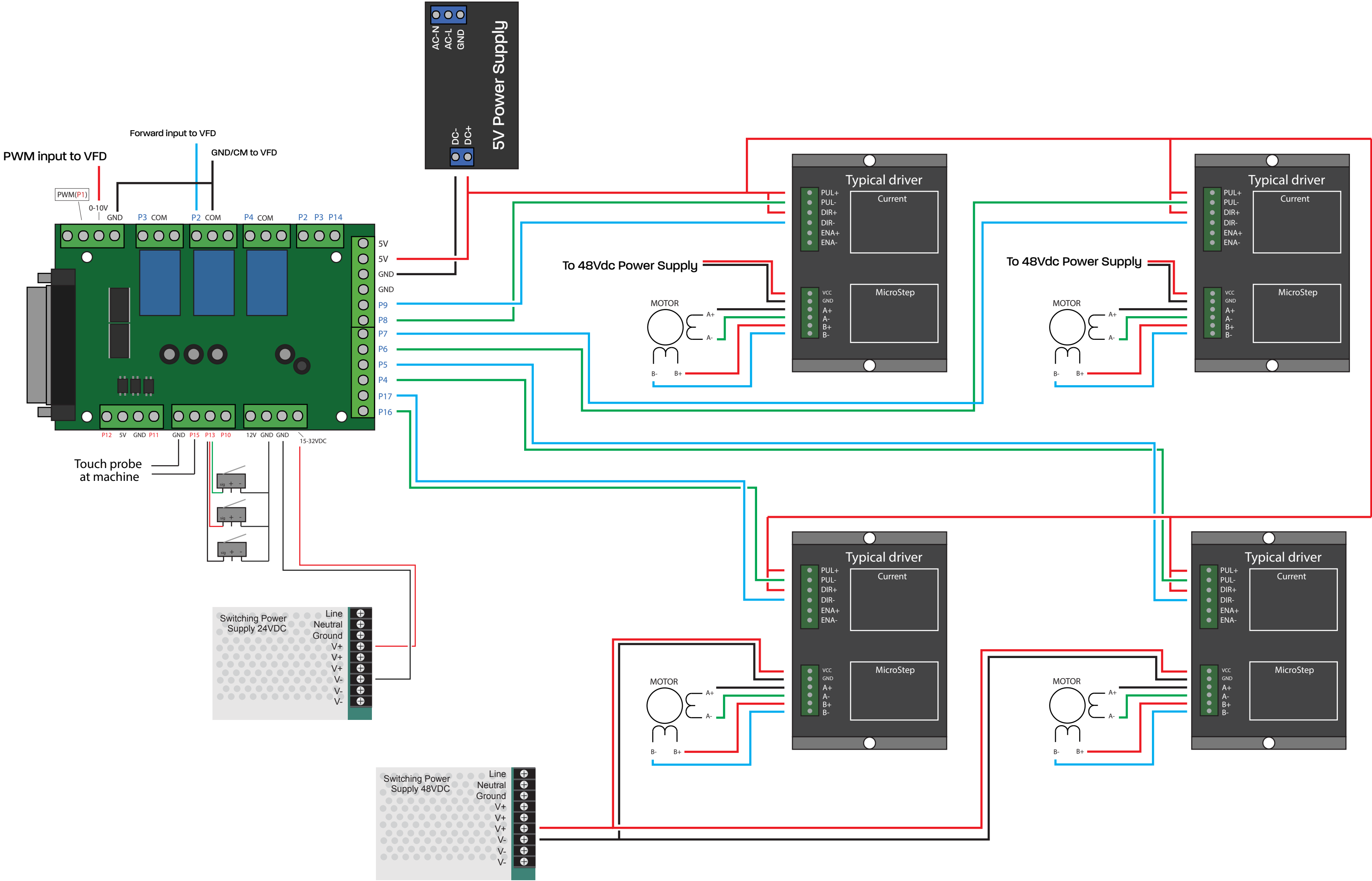


Mach3 Breakout Board with Relay & Spindle Control



Engine Configuration... Ports & Pins



Port Setup and Axis Selection

Motor Outputs

Input Signals

Output Signals

Encoder/MPG's

Spindle Setup

Mill Options

Signal	Enabled	Step Pin#	Dir Pin#	Dir LowActi...	Step Low A...	Step Port	Dir Port
X Axis		4	5			1	1
Y Axis		6	7			1	1
Z Axis		8	9			1	1
A Axis		16	17			1	1
B Axis		0	0			0	0
C Axis		0	0			0	0
Spindle		1	0			1	1

OK

Cancel

Apply

Engine Configuration... Ports & Pins



Port Setup and Axis Selection | Motor Outputs | **Input Signals** | Output Signals | Encoder/MPG's | Spindle Setup | Mill Options

Signal	Enabled	Port #	Pin Number	Active Low	Emulated	HotKey
X ++		0	0			0
X --		0	0			0
X Home		1	13			0
Y ++		0	0			0
Y --		0	0			0
Y Home		1	13			0
Z ++		0	0			0
Z --		0	0			0
Z Home		1	13			0

Pins 10-13 and 15 are inputs. Only these 5 pin numbers may be used on this screen

Automated Setup of Inputs

OK

Cancel

Apply

Engine Configuration... Ports & Pins



Port Setup and Axis Selection | Motor Outputs | Input Signals | **Output Signals** | Encoder/MPG's | Spindle Setup | Mill Options

Signal	Enabled	Port #	Pin Number	Active Low
Enable1		1	14	
Enable2		0	0	
Enable3		0	0	
Enable4		0	0	
Enable5		0	0	
Enable6		0	0	
Output #1		0	0	
Output #2		1	2	
Output #3		1	3	
Output #4		0	0	

Pins 2 - 9 , 1, 14, 16, and 17 are output pins. No other pin numbers should be used.

OK

Cancel

Apply

Engine Configuration... Ports & Pins



- Port Setup and Axis Selection
- Motor Outputs
- Input Signals
- Output Signals
- Encoder/MPG's
- Spindle Setup
- Mill Options

Signal	Enabled	Port #	Pin Number	Active Low
Output #2		1	2	
Output #3		1	3	
Output #4		0	0	
Output #5		0	0	
Output #6		0	0	
Charge Pump		1	14	
Charge Pump2		0	0	
Current Hi/Low		0	0	
Output #7		0	0	
Output #8		0	0	

Pins 2 - 9 , 1, 14, 16, and 17 are output pins. No other pin numbers should be used.

- OK
- Cancel
- Apply